

## DS 57 series

### A) DS 57 MDW with torque transducer



Type	Max. torque Nm	Application area Nm	Max. speed rpm	Angle resolution Degree [°]	Article number
DS 57 / 25 MDW	25	5 – 25	530	0,1	<b>DS-2570025</b>
DS 57 / 50 MDW	50	10 – 50	530	0,1	<b>DS-2570050</b>
DS 57 / 70 MDW	70	14 – 70	800	0,1	<b>DS-2570070</b>
DS 57 / 90 MDW	90	18 – 90	430	0,1	<b>DS-2570090</b>
DS 57 / 140 MDW	140	28 – 140	430	0,1	<b>DS-2570140</b>

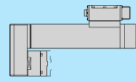
Torque accuracy 0,5 %, torque tolerance better 5 % according to ISO 5393

### B) DS 57 SA without torque transducer

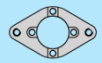


Type	Max. torque Nm	Application area Nm	Max. speed rpm	Angle resolution Degree [°]	Article number
DS 57 / 25 SA	25	5 – 25	530	4,5	<b>DS-2571025</b>
DS 57 / 50 SA	50	10 – 50	530	4,5	<b>DS-2571050</b>
DS 57 / 70 SA	70	14 – 70	800	2,2	<b>DS-2571070</b>
DS 57 / 140 SA	140	28 – 140	430	1,2	<b>DS-2571140</b>

Torque accuracy 5 %

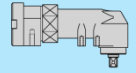
**C) Motor offset**

Type	Article number
Motor offset V2	<b>DS-2573010</b>

**D) Mounting flange**

Type	Article number
Mounting flange	<b>DS-2573000</b>

Always included, but not available for the variants E) and F)

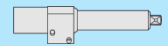
**E) Angle head**

Nutrunner MDW / SA	Max. speed rpm	Type	Article number
DS 57 / 50 WA	1000	WA (1/2", max. 130 Nm)	<b>DS-2573015</b>
DS 57 / 70 WA	760		
DS 57 / 140 WA	420		

Torque tolerance better 8 % according to ISO 5393

**F) Output offset**

Type	Article number
Output offset V1	<b>DS-2573005</b>

**G) Spring output 50 mm with self start initiator**

Type	Article number
Self start, square drive 1/2"	<b>DS-2573045</b>
Self start, square drive 3/8"	<b>DS-2573050</b>

**H) Spring output with square drive 1/2"**

Type	Article number
Spring output 50 mm	<b>DS-2573025</b>
Spring output 100 mm	<b>DS-2573035</b>

**I) Spring output with square drive 3/8" (max. 50 Nm)**

Type	Article number
Spring output 50 mm	<b>DS-2573030</b>
Spring output 100 mm	<b>DS-2573040</b>

**J) Spring output 50 mm with depth initiator**

Type	Article number
Depth initiator, square drive 1/2"	<b>DS-2573055</b>
Depth initiator, square drive 3/8" *	<b>DS-2573065</b>

\* max. 50 Nm

**K) Stump output with square drive 1/2"**

Type	Article number
Stump output ST	<b>DS-2573020</b>

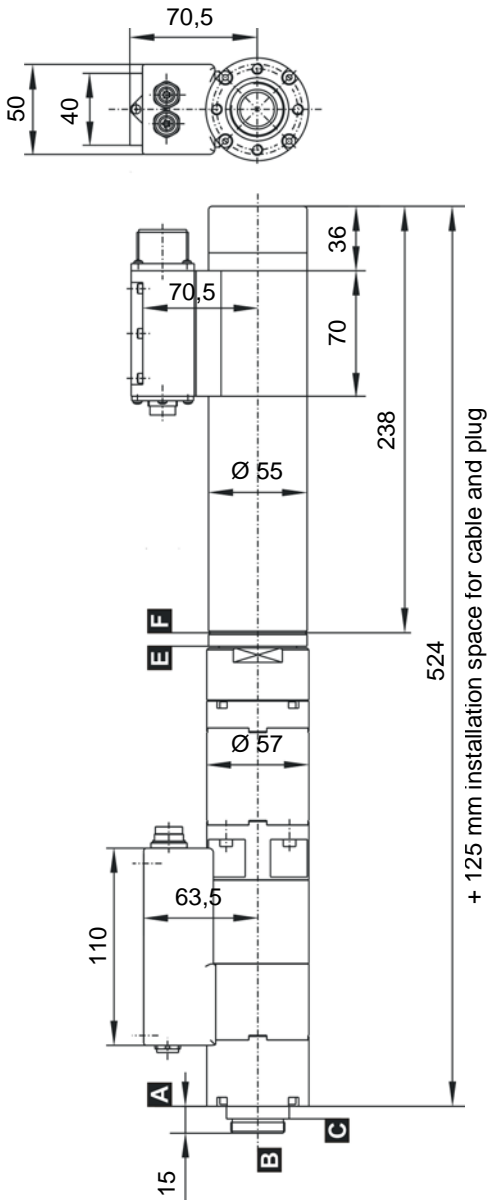
**Cable set**

Cables for interconnection between nutrunner and control system

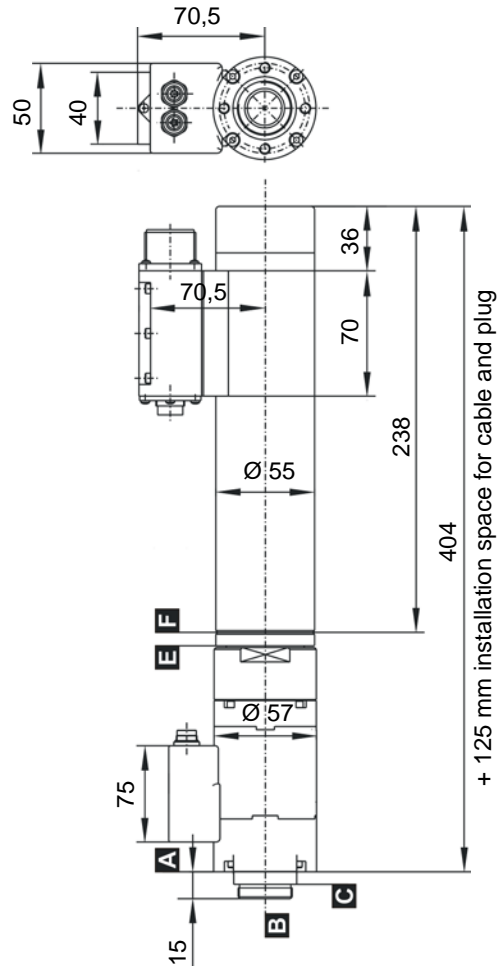
Type	Cable length	Article number
Cable set DS57 / QMP80 / SMP400   DSP05	5 m	<b>MK-0809005</b>
Cable set DS57 / QMP80 / SMP400   DSP10	10 m	<b>MK-0809010</b>
Cable set DS57 / QMP80 / SMP400   DSP15	15 m	<b>MK-0809015</b>
Cable set DS57 / QMP80 / SMP400   DSP05 - with shielding	5 m	<b>MK-0809105</b>
Cable set DS57 / QMP80 / SMP400   DSP10 - with shielding	10 m	<b>MK-0809110</b>
Cable set DS57 / QMP80 / SMP400   DSP15 - with shielding	15 m	<b>MK-0809115</b>

# Technical drawings DS 57 series

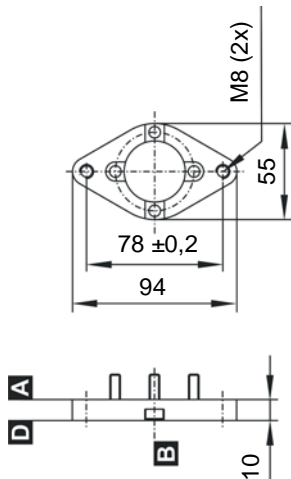
DS 57 MDW



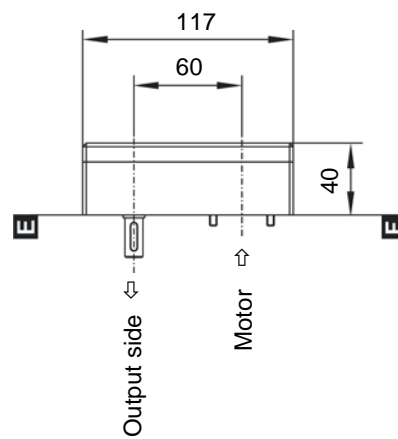
DS 57 SA



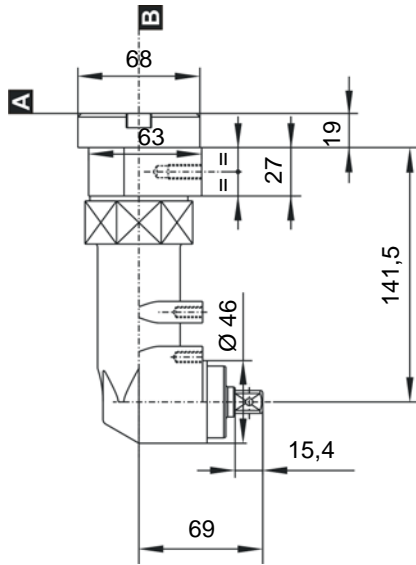
Mounting flange



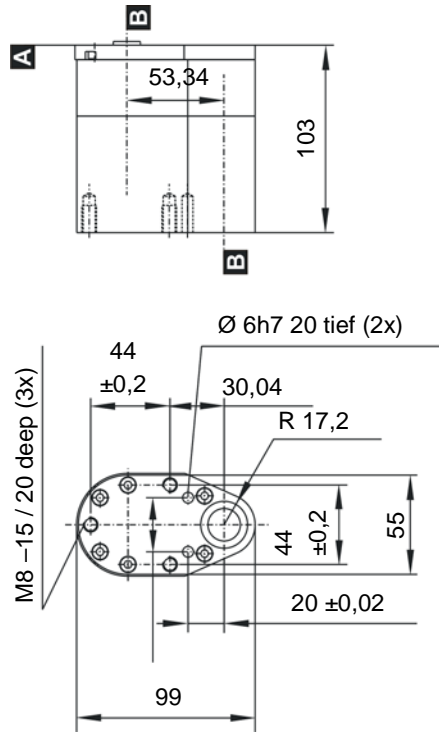
Motor offset



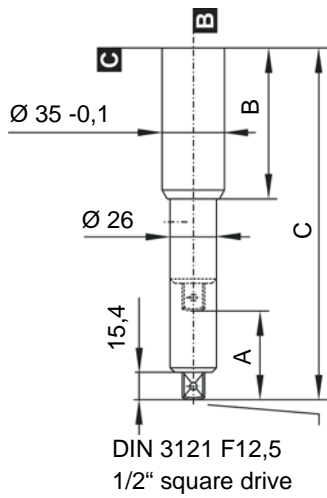
**Angle head WA**



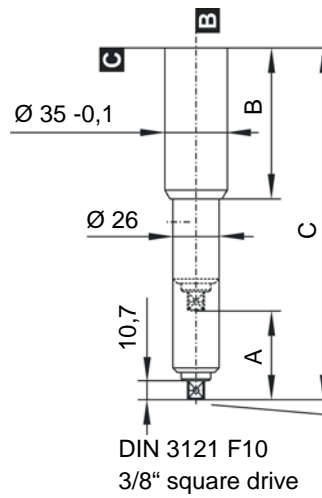
**Output offset**



**Spring output 1/2" square drive**

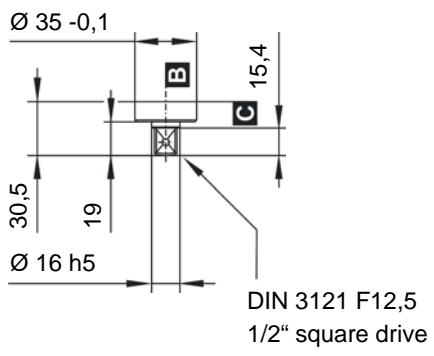


**Spring output 3/8" square drive**



Type (spring deflexion)	A mm	B mm	C mm
F50	50	85	198
F100	100	135	298

### Stump output



### Self start

