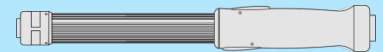


## DSH 26 series

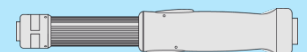
### A) DSH 26 MDW with torque transducer



Type	Max. torque Nm	Application area Nm	Max. speed rpm	Angle resolution Degree [°]	Article number
DSH 26 / 005 MDW	0,5	0,05 – 0,5	1450	3,7	<b>DSH-2260005</b>
DSH 26 / 01 MDW	1	0,2 – 1	1450	3,7	<b>DSH-2260010</b>
DSH 26 / 02 MDW	2	0,4 – 2	1020	2,6	<b>DSH-2260020</b>
DSH 26 / 04 MDW	4	0,8 – 4	400	1,0	<b>DSH-2260040</b>

Torque accuracy 0,5 %, torque tolerance better 5 % according to ISO 5393

### B) DSH 26 SA without torque transducer



Type	Max. torque Nm	Application area Nm	Max. speed rpm	Angle resolution Degree [°]	Article number
DSH 26 / 005 SA	0,5	0,05 – 0,5	1700	4,3	<b>DSH-2261005</b>
DSH 26 / 01 SA	1	0,2 – 1	1700	4,3	<b>DSH-2261010</b>
DSH 26 / 02 SA	2	0,4 – 2	820	2,1	<b>DSH-2261020</b>
DSH 26 / 04 SA	4	0,8 – 4	400	1,0	<b>DSH-2261040</b>

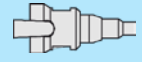
Torque accuracy 5 %

**D/E) Spring output**

Type	Article number
Spring output 20 mm	<b>DS-2263010</b>
Spring output 50 mm	<b>DS-2263015</b>

**F) Self start output**

Type	Article number
Self start with 5 mm spring deflexion	<b>DS-2263020</b>

**G) Vacuum screw-retainer**

Type	Article number
With electric supply unit	<b>DS-2263895</b>
With pneumatic supply unit	<b>DS-2263896</b>

**H) Angle head**

Type	Article number
Angle head (D6,3)	<b>DS-2263025</b>

Torque tolerance better 8 % according to ISO 5393

**1) Hexagon drive 1/4"**

Type	Article number
Hexagon drive 1/4"	<b>DS-2263725</b>

**2) Square drive 1/4"**

Type	Article number
Square drive 1/4"	<b>DS-2263730</b>

**3) Hexagonal quick change chuck B3**

Type	Article number
Hexagonal quick-change chuck B3	<b>DS-2263720</b>

**4) Hexagonal quick change chuck B5,5**

Type	Article number
Hexagonal quick-change chuck B5,5	<b>DS-2263715</b>

**5) Hexagonal quick change chuck D6,3**

Type	Article number
Bit shaft precision-guide 13 mm	<b>DS-2263705</b>
Bit shaft precision-guide 24 mm	<b>DS-2263710</b>

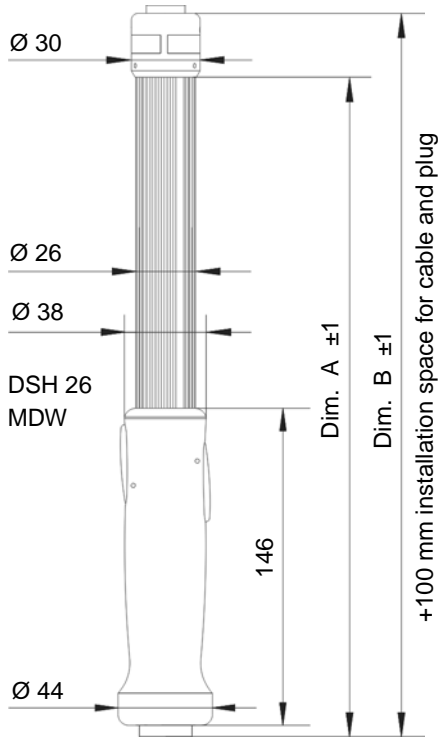
**Cable**

Cable for interconnection between nutrunner and control system

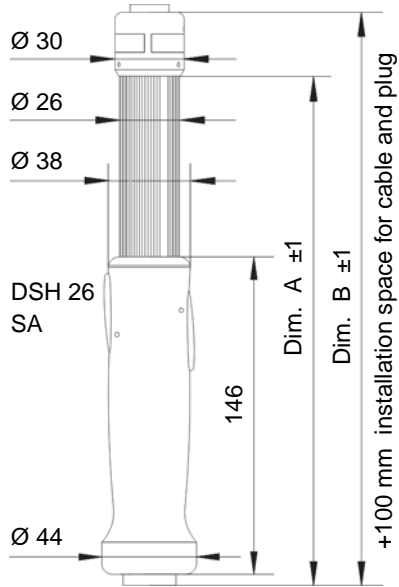
Type	Cable length	Article number
Interconnecting cable DS26 / DSH26   DSP05	5 m	<b>MK-2269005</b>

# Technical drawings DSH 26 series

## DSH 26 MDW

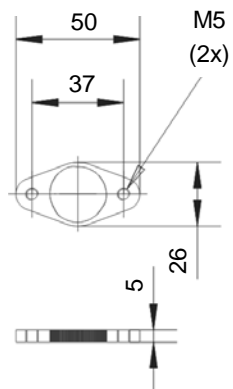


## DSH 26 SA

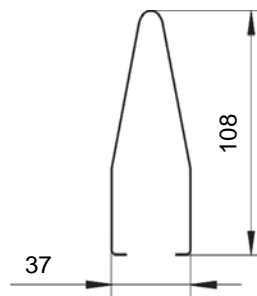


Type MDW	Dimension A mm	Dimension B mm	Type SA	Dimension A mm	Dimension B mm
DSH 26 / 02 MDW	235	263	DSH 26 / 02 SA	197	225
DSH 26 / 04 MDW	242	270	DSH 26 / 04 SA	200	228

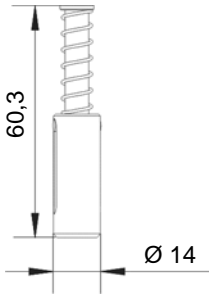
## Mounting flange



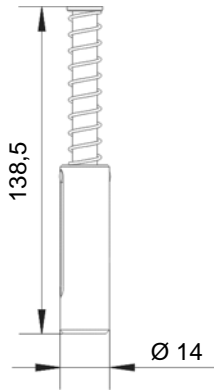
## Suspension clip



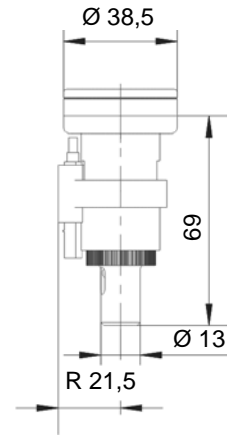
**Spring output 20 mm**



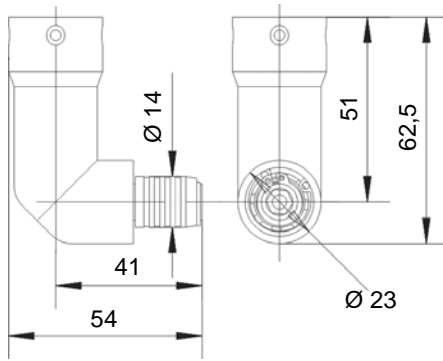
**Spring output 50 mm**



**Self start**

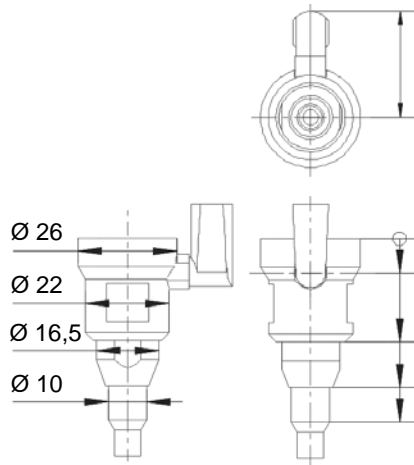


**Angle output**



WA with quick change chuck  
DIN 3126 D6,3

**Vacuum screw-retainer**



Nozzle to customer requirements

**Output features**

