



PosiControl4

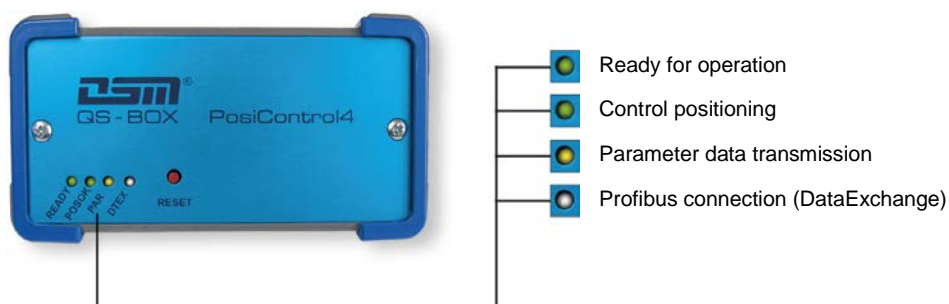
PosiControl4

In combination with a superordinated control the positioning-electronic PosiControl4 checks, if a defined operation sequence is followed and makes sure, that no position will be forgotten. For this, the PosiControl4 provides a storage capacity for up to 200 positions. The configuration of the hardware as well as the administration of the positions is made by the application software.

The input of the positions is made very easy by Teach-In, i.e. it's driven to the required positions and stored via keystroke. Changes of the sequence of the order or of the flow are quickly possible at any time.

Features

- Aluminium tube case, impact resistant plastic cover
- Data input via PC software
- 4 LED Status indication
- Input of positions via Teach-in during the programming
- Storage of up to 200 positions
- Positions monitoring
- Report mode of the stored positions
- Direct output mode as "X/Y position"
- USB interface for configuration via PC
- Systembus interface for communication with DSM tightening control system (Basic, Classic, Pro)
- Profibus DP-Slave interface for the integration in a PLC system
- Option: TCP/IP module for network connection



PosiControl4



Type	Article number
PosiControl4 electronic including USB connection cable 1,8 m	DSM-600635
Ethernet TCP/IP module	DSM-161905

Universal bracket for assembly to wall or table



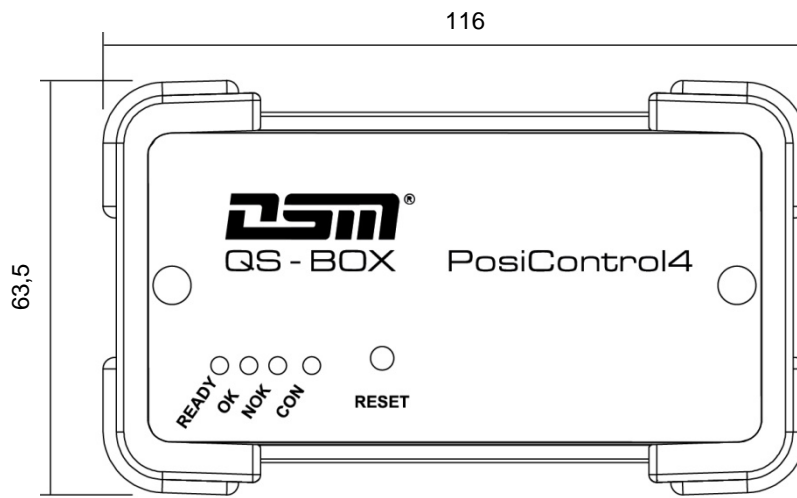
Type	Article number
Universal bracket	DSM-600612

Plug-in power supply AC 230 V / 50 Hz | DC 24 V / 1 A

Type	Article number
Plug-in power supply	DSM-600611

A plug-in power supply isn't needed by connection to a control system (Basic, Classic, Pro).

Front view



Side view

