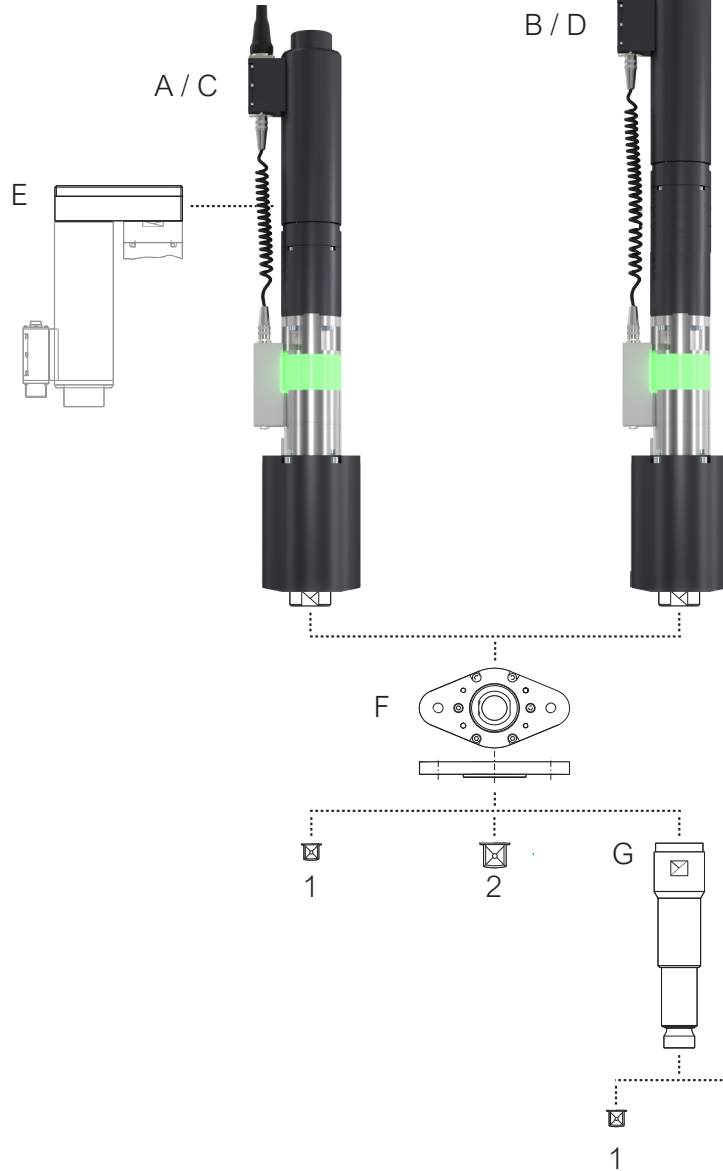
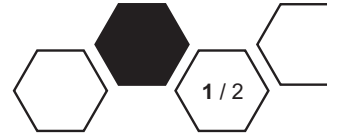


# DS 80-130 series



## A DS 80-130 MDW with torque transducer

Type	Max. torque	Application area	Max. speed	Angle resolution	Article number
DS 80-130 / 900 MDW	900 Nm	180 - 900 Nm	75 rpm	0,1°	DS-2800090
DS 80-130 / 1000 MDW	1000 Nm	200 - 1000 Nm	75 rpm	0,1°	DS-2800100

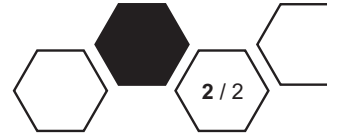
Torque accuracy 0,5 %, torque tolerance better 5 % according to ISO 5393

## B DS 80-130 MDW (Booster gear unit) with torque transducer

Type	Max. torque	Application area	Max. speed	Angle resolution	Article number
DS 80-130 / 1500 MDW	1500 Nm	300 - 1500 Nm	75 rpm	0,1°	DS-2800150
DS 80-130 / 2000 MDW	2000 Nm	400 - 2000 Nm	37 rpm	0,1°	DS-2800200
DS 80-130 / 2400 MDW	2400 Nm	480 - 2400 Nm	37 rpm	0,1°	DS-2800240

Torque accuracy 0,5 %, torque tolerance better 5 % according to ISO 5393

# DS 80-130 series



## C DS 80-130 SA without torque transducer (current controlled)

Type	Max. torque	Application area	Max. speed	Angle resolution	Article number
DS 80-130 / 900 SA	900 Nm	180 - 900 Nm	75 rpm	1,0 °	DS-2801090
DS 80-130 / 1000 SA	1000 Nm	200 - 1000 Nm	75 rpm	1,0 °	DS-2801100

Torque accuracy depends on the adjustment of the nutrunner

## D DS 80-130 SA (Booster gear unit) without torque transducer (current controlled)

Type	Max. torque	Application area	Max. speed	Angle resolution	Article number
DS 80-130 / 1500 SA	1500 Nm	300 - 1500 Nm	75 rpm	1,0 °	DS-2801150
DS 80-130 / 2000 SA	2000 Nm	400 - 2000 Nm	75 rpm	1,0 °	DS-2801200
DS 80-130 / 2400 SA	2400 Nm	480 - 2400 Nm	37 rpm	1,0 °	DS-2801240

Torque accuracy depends on the adjustment of the nutrunner

## E Motor offset

Type	Article number
Motor offset V2	DS-2803005

## F Mounting flange

Type	Article number
Mounting flange	DS-2803001

## G Spring output

Type	Article number
Spring output 50 mm	DS-2803080

## 1 Square drive 1"

Type	Article number
Square drive 1" (up to 1000 Nm)	DS-2803105

## 2 Square drive 1,5"

Type	Article number
Square drive 1,5" (up to 2400 Nm)	DS-2803110