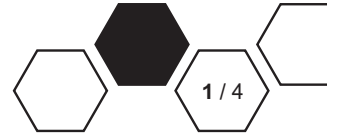


QS Box



QS Box is a digital measuring system for the quality assurance of operating sequences. The reference measuring system can be used for the monitoring and control as well as for the adjustment or calibration of tightening and press-in systems. The use of slide-in modules for all current measuring sensors enables this flexibility. That means that every type of sensor can be equipped with an adequate measuring module.

Advantages of the modern digital measuring system are an interference-free signal transfer, the direct status report near the measuring point as well as an intelligent memory chip. The stored sensor data are adjusted automatically by connection to the QS Box. Measurements are made in the online mode in combination with the QS center software. The QS Box transfers the measured data immediately to the connected computer. Without PC, in the offline mode, the QS Box records the measurands. The data are written onto CF card and analysed later on at the PC.



Measuring equipment for monitoring and calibration
 Measurements possible in online and offline mode
 Measurement value recording and graphic monitoring
 Data storage directly on CF card or PC
 Test equipment monitoring with integrated measuring system

Plug-in modules

Digital

The QS Box unfolds its complete potential with DSM-Digital:
 Insensible signal transfer
 Direct status report at the measuring sensor
 Automatic recording of the sensor data's
 Automatic adjustment of the measuring parameters

Further modules:

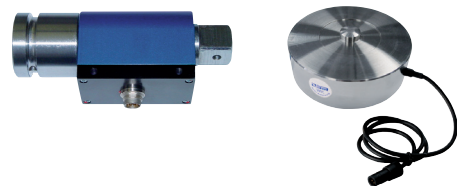
- | | |
|-----------------|---------------|
| ± 1 mV/V | ± 5 V |
| ± 2 mV/V | ± 10 V |
| 4-20 mA | ± 15 V |

SCI module

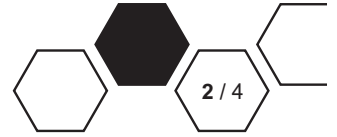
We convert your analogue sensors. Equipped with a SCI module, every existing transducer can be connected to the digital-interface of the QS Box. This allows you to use all advantages of the digital system cost-effectively.

Measuring sensors

According to requirements, DSM delivers analogue and digital measuring sensors of any type: force load cell, length sensors, torque transducers and temperature sensors



QS Box



*Exchangeable
plug-in modules
for analogue and
digital measuring
signals*



SCI module



The converter is fix connected to the transducer, as the data of the connected transducer are stored in the parameter module of the SCI.

QS Box DSM-161000

QS measurement box, basic device with slot for measuring module

QS Box AC adapter (1,5 m) DSM-600640

QS Box AC adapter (plug-in power supply) 230 VAC / 50 Hz | 24 DC / 1 A

DSM digital DSM-161110

QS plug-in module DSM digital

±1 mV/V DSM-161111

QS plug-in module ±1 mV/V

±2 mV/V DSM-161112

QS plug-in module ±2 mV/V

4-20 mA DSM-161113

QS plug-in module 4-20 mA

±5 V DSM-161114

QS plug-in module ±5 V

±10 V DSM-161115

QS plug-in module ±10 V

QS Center software DSM-161901

QS Box analysis software Pro

USB cable (1,8 m) MK-1001702

USB cable, hi-speed, type A plug / type B plug

SCI module (Signal converter intelligent) DSM-161200

QS SCI module

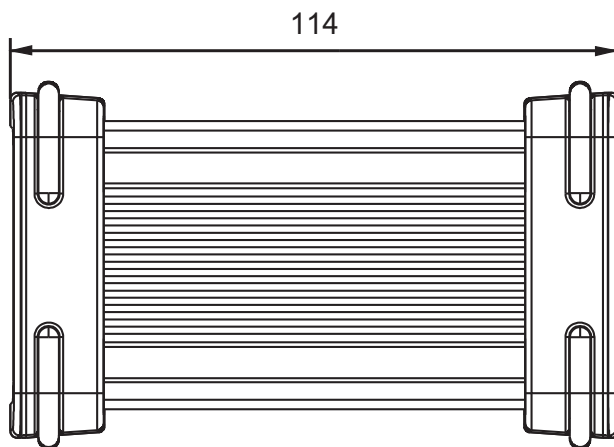
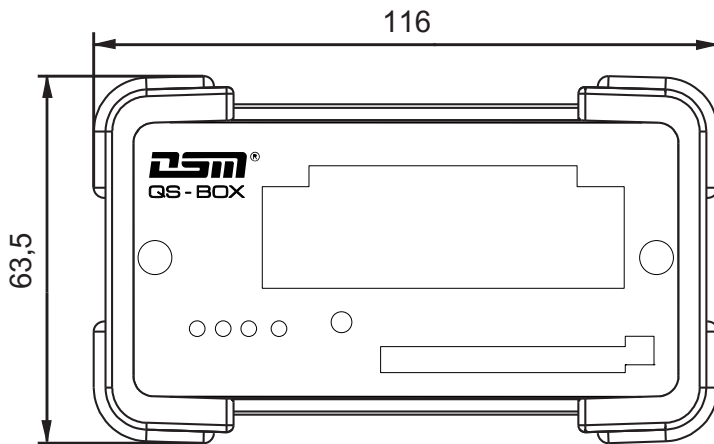
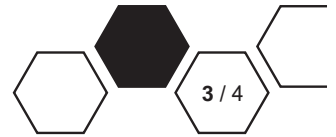
SCI connection cable (5 m) DSM-910050

SCI connection cable

Digital torque transducer / Digital load cell

Upon your request

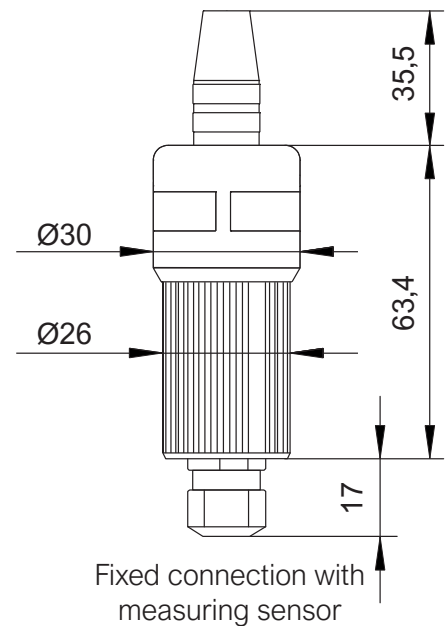
QS Box



Weight: approx. 440 g

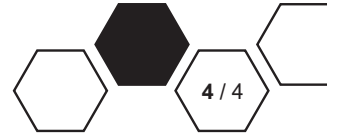
SCI module

Connection measuring module



Weight: approx. 70 g

QS Box



The QS Box in combination with the MultiPro 3G control unit enables additional monitoring with an external sensor in a tightening / press-in system.

